

BANKS WALL-HUNG BASIN

CAT. NO
4-915X



Faucet not included



Mounting hardware

W: 20-1/2"
D: 17-3/8"
H: 7-3/4"

Water depth 3-3/4" to overflow

Interior Dimensions:

| | |
|------------------------------------|-------------------|
| Basin interior: | 16-1/4" x 10-1/2" |
| Basin depth: | 6" |
| Faucet and spout holes: | 2" & 1-1/4" |
| Back of basin to center of faucet: | 2-3/8" |
| Back of basin to center of drain: | 7-1/2" |
| Mount holes cc: | 7-1/4" |

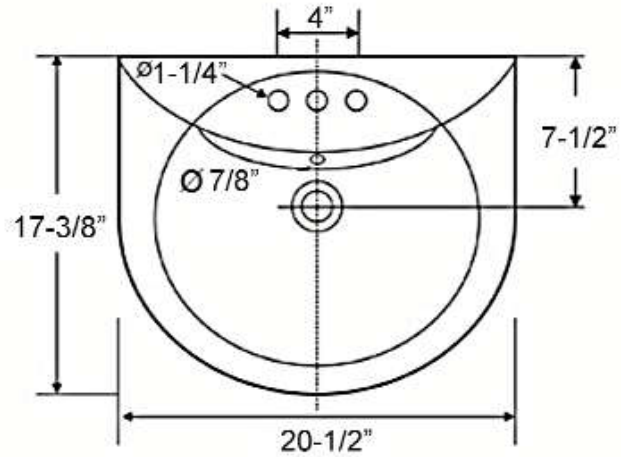
Features:

- ▶ Made of Vitreous China
- ▶ Available pre-drilled for single hole (**4-9151**) or 4" centerset (**4-9154**)
- ▶ Overflow
- ▶ Decorative overflow cover included
- ▶ Mounting hardware included
- ▶ cUPC approved



Colors:
WH White

Meets or exceeds the following specifications: ASME A112.19.2 2018 and CSA B45.1-18 for ceramic plumbing fixtures.



Dimensions of fixture are nominal and may vary within the range of tolerances established by ASME Standard A112.19.2. Dimensions and specifications subject to change without notice.